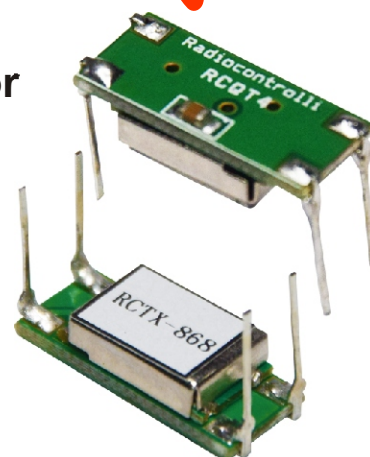


Radio Transmitter module with crystal oscillator 868.35MHz - ASK/OOK Modulation

RCQT4-868 is a transmitter module with crystal oscillator, allow to realize a complete Remote Keyless adding a coding circuit.
Available in versions 5Volt.

ASK/OOK Modulation.
Metallic shield.



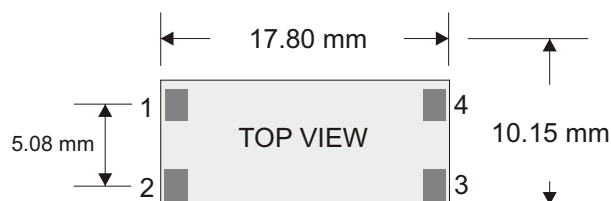
Technical Characteristics

Characteristics		MIN	TYP	MAX	UNIT
V _{CC}	Supply Voltage (5 Volt version)	4	5	12	VDC
I	Supply Current (TX mode)		25		mA
I _s	Current Consumption (standby mode)		< 3		µA
P _o	RF Power Output		10		dBm
F	XTAL Frequency		868.35		MHz
F	Frequency Tolerance		+/- 20		KHz
	Max Data Rate			50	Kbit/s
	Power Up Time			1	Ms
T _{OP}	Operating Temperature Range	-25		+80	°C

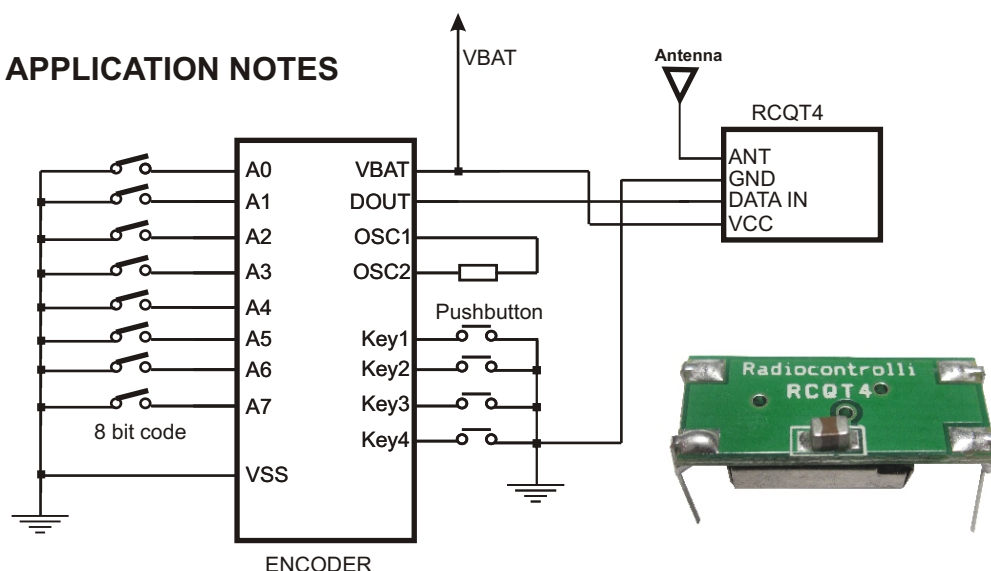
PIN OUT

Pads	Name	Description
1	VCC	VCC
2	GND	Ground
3	IN	Data Input
4	ANT	Antenna

Mechanical Dimensions



APPLICATION NOTES



Applications :

- Wireless security systems
- Home and building automation
- Automatic Measure Reading
- Wireless Sensor Network