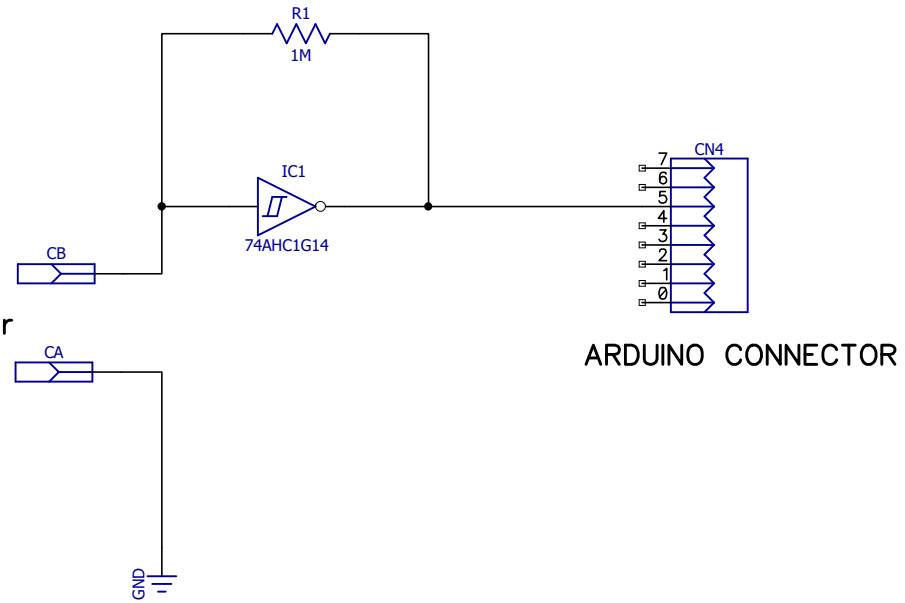
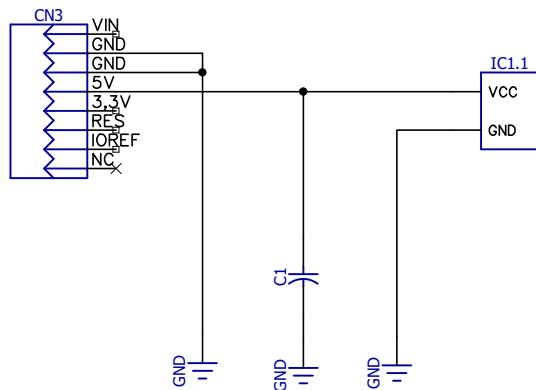


To capacitive sensor



ARDUINO CONNECTOR



Shield Arduino for Rain Sensor

Doc. Number:

DATE :

Rev.: 0