

You can control everything..... anywhere

RadioControlli S.r.l. has developed an 868MHz wireless actuator for home automation, composed by

A SEND unit (bidirectional remote control) and a RECEIVER unit with the possibility to switch up to N. 8 relays.

This wireless remote control system has been developed to meet the various needs of installers and electricians it can be used to switch on every kind of lighting, as well as other applications such as water games, electric gates and automatic doors.

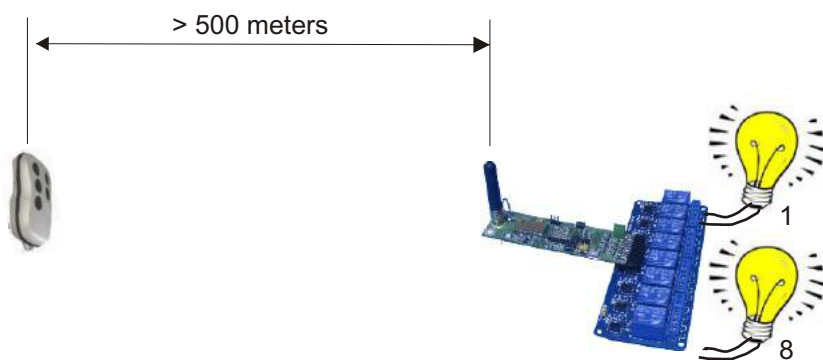
The remote control (5 buttons) has the capacity both to transmit and receive (bidirectional) feature that makes it unique from other remote controls, allows the user to merely verify, even remotely, the state of his system.

Each time it is activated a command gets a visual confirmation if the activation operation was successful or not (return of receipt).

### Features :

- N. 8 channels .
- Confirmation of the command sent (return receipt).
- Possibility to check the status of the 8 output channels.
- GFSK 19.2Kbps Modulation.
- Frequency 869.5 Mhz - PowerOutput +20dBm(100mW).
- Number of remote control to be combined with receiver control unit : until 256
- Distance : up to 500meter in open field with maximum transmission power 20dBm(100mW).

### How is work :



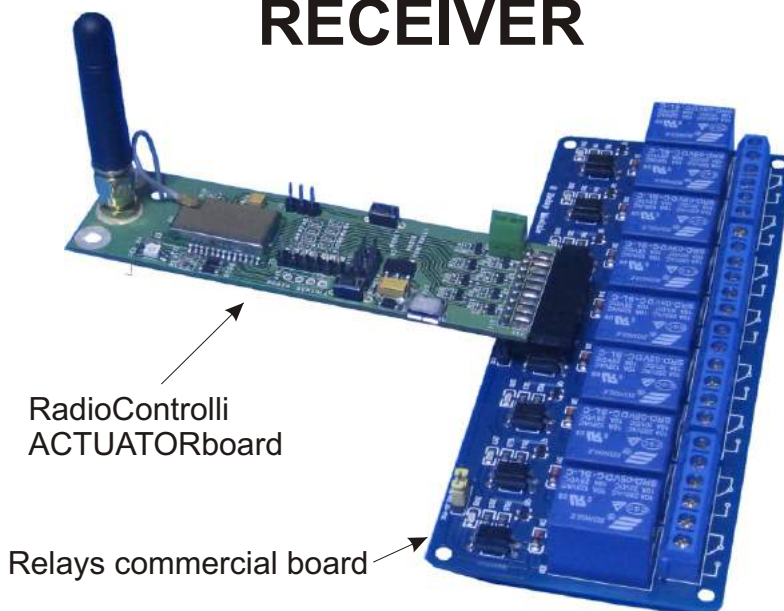
N. 8 ON/OFF switching

## SEND



RadioControlli bidirectional remote control

## RECEIVER



RadioControlli ACTUATORboard

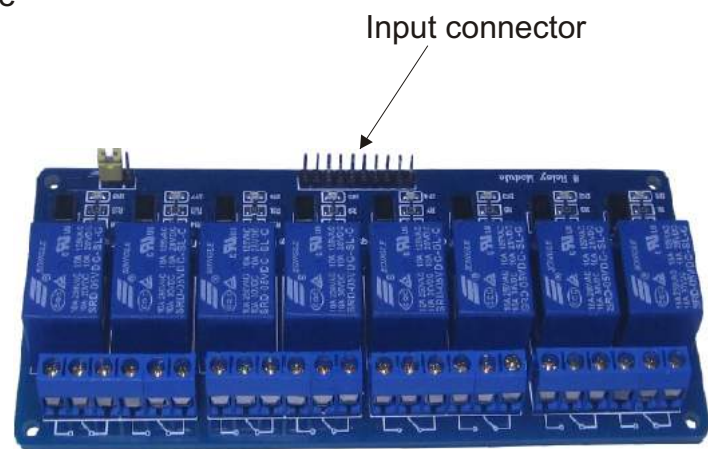
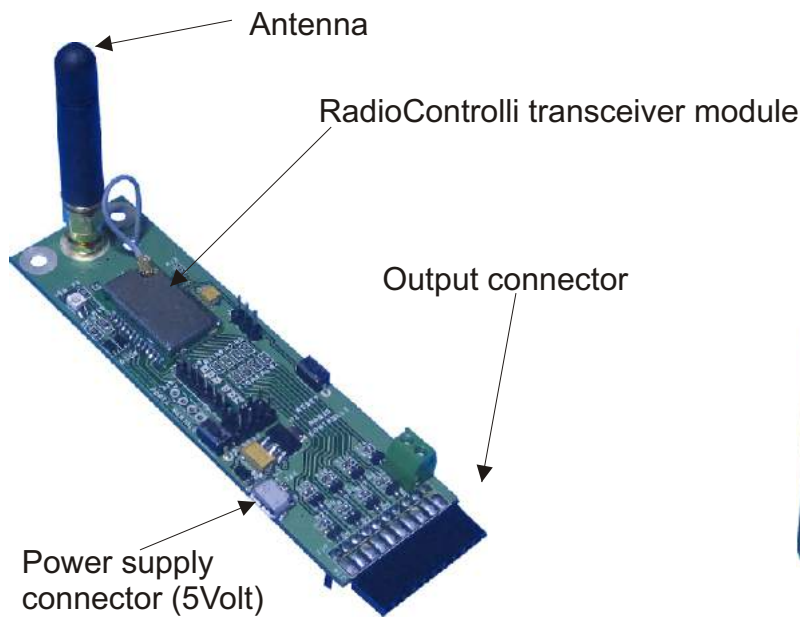
Relays commercial board

*You can control everything..... anywhere*

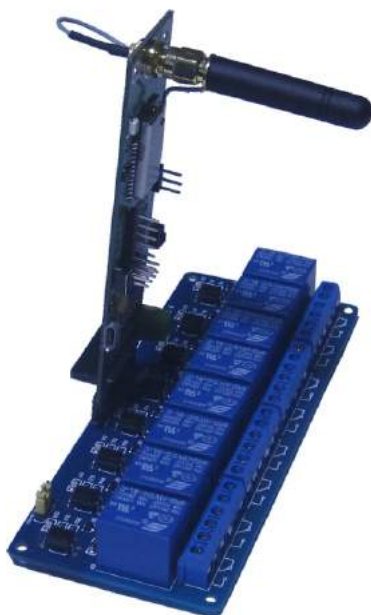


## *RadioControlli Bidirectional Remote Control*

N. 5 Keys - Ip66 Case - AAA Battery - Bicolor LED



## *RadioControlli Receiver Board*



*Example of vertical mount*

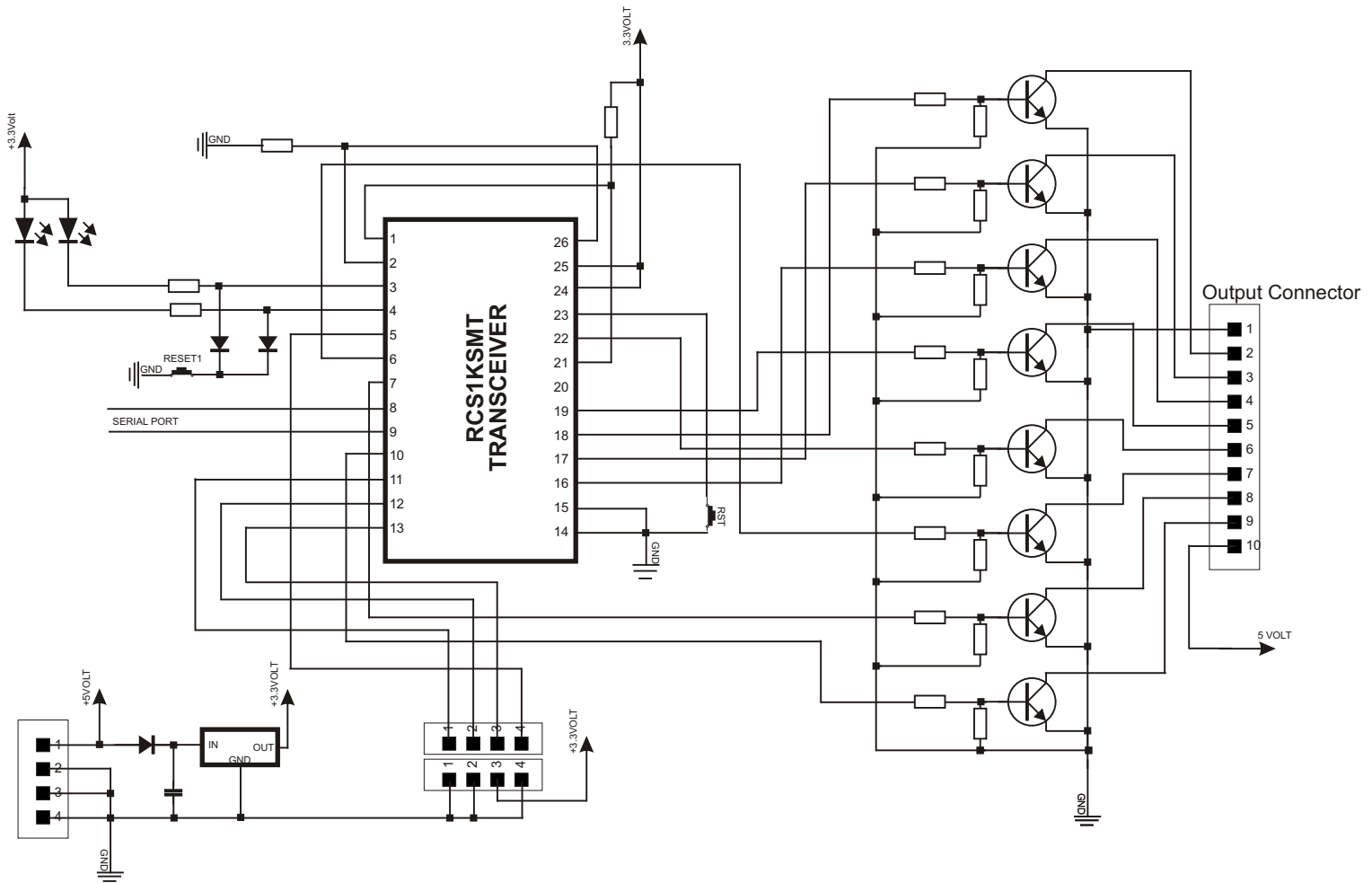
## *Relays commercial board*



*Example of mounting with cable*

## RadioControlli Receiver Board

Electrical schematics



## System Part Number

Kits



N. 2 Remote control + N.1 RECEIVER BOARD + N.1 5Volt Power Supply + N.1 Relays commercial board

Essential Kits :



N. 1 Remote Control + N.1 RECEIVER BOARD + N.1 Relays commercial board

*You can control everything..... anywhere*



Push a key for about 1 second, in this way you can verify the status of the corresponding relay, **GREEN=relay activated RED=relay not activated.**

Press the button for more than one second the relay switches and you have visual feedback of 'switching occurred.



SHIFT + KEY N.1 -----> Relay N.5

SHIFT + KEY N.2 -----> Relay N.6

SHIFT + KEY N.3 -----> Relay N.7

SHIFT + KEY N.4 -----> Relay N.8